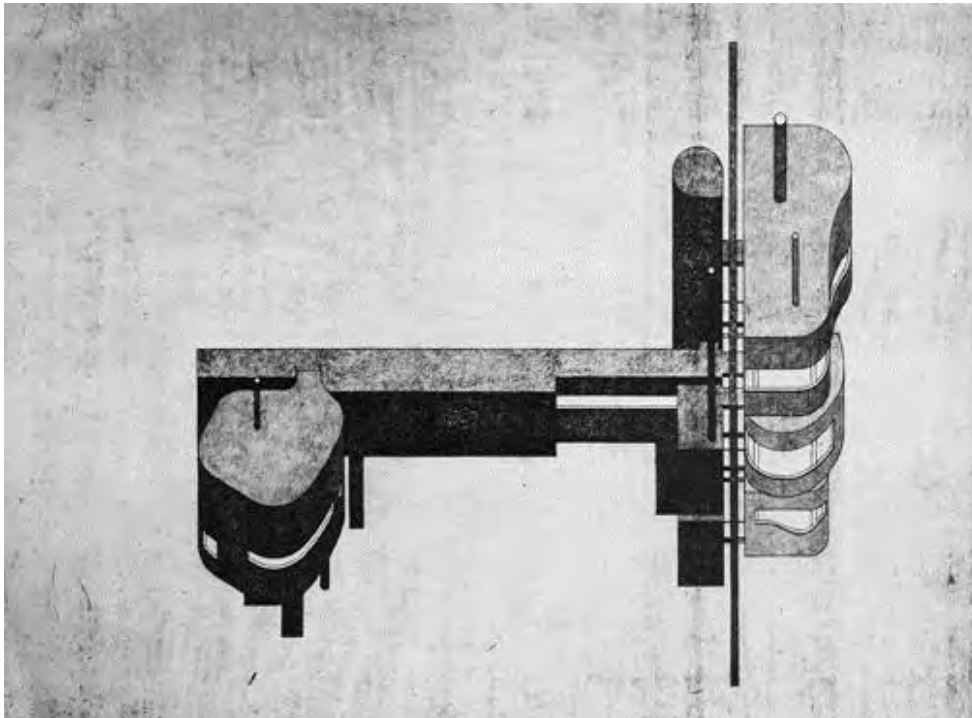


**HOW DO WE COMMUNICATE OUR
ARCHITECTURAL IDEAS ?**

HOW DO WE COMMUNICATE OUR ARCHITECTURAL IDEAS ?

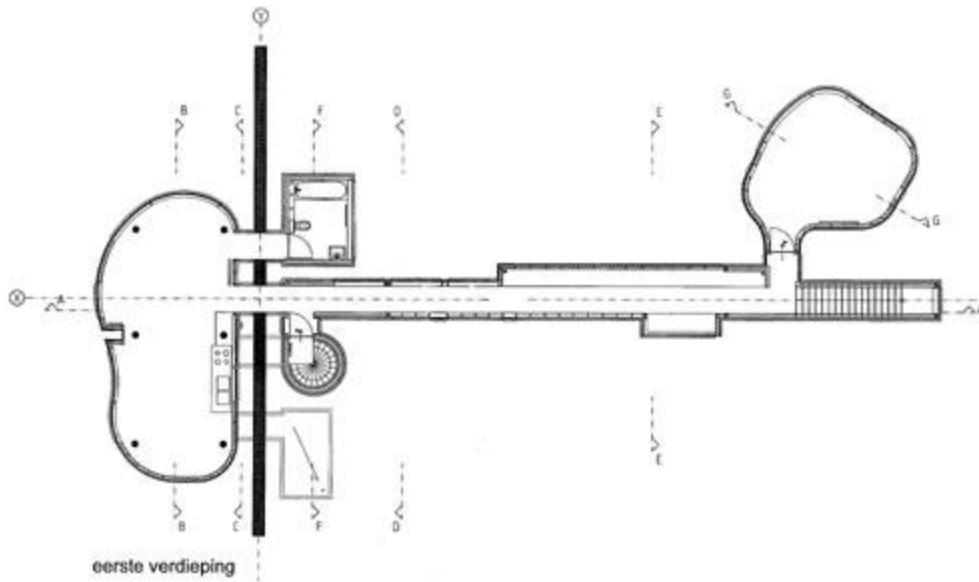


Drawings

Computer Models

Physical Models

HOW DO WE COMMUNICATE OUR ARCHITECTURAL IDEAS ?

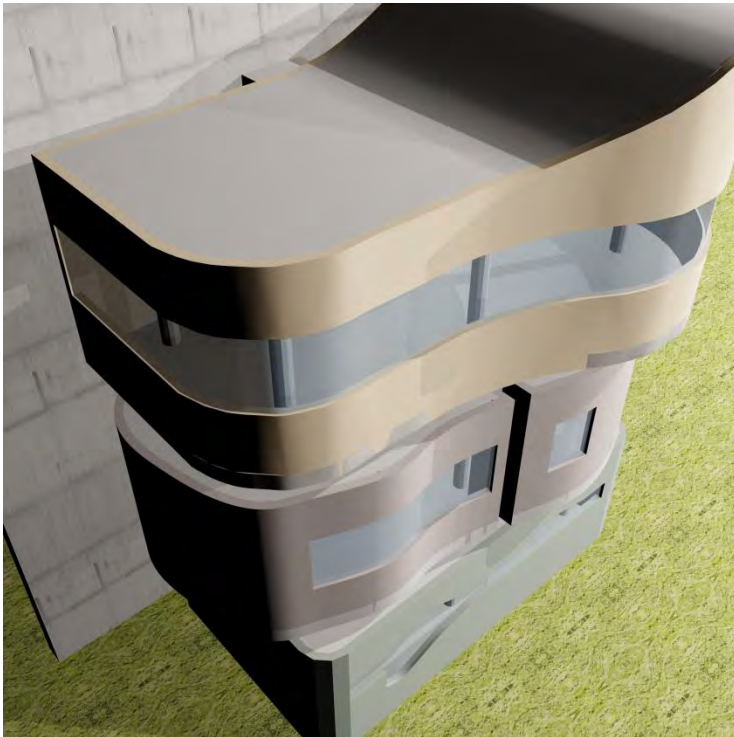


Drawings

Computer Models

Physical Models

HOW DO WE COMMUNICATE OUR ARCHITECTURAL IDEAS ?

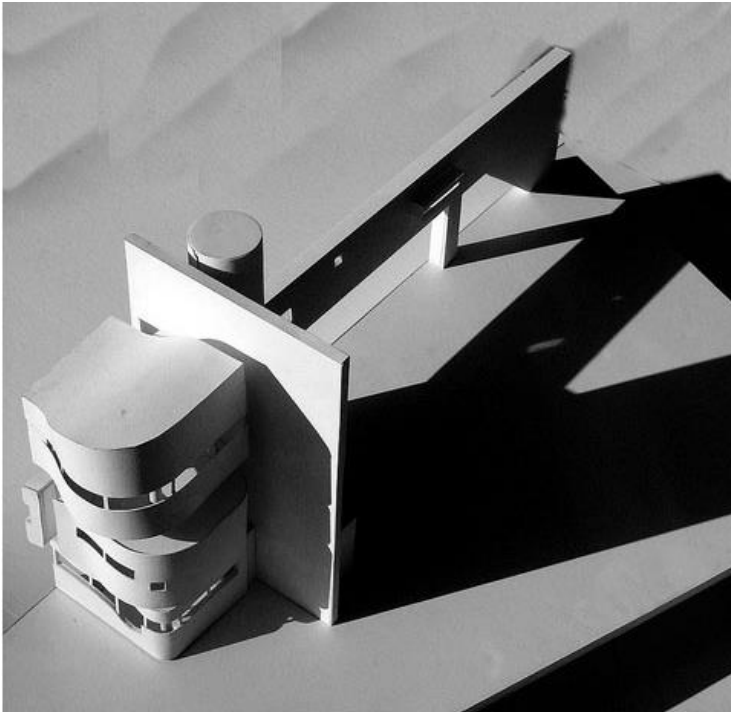


Drawings

Computer Models

Physical Models

HOW DO WE COMMUNICATE OUR ARCHITECTURAL IDEAS ?



Drawings

Computer Models

Physical Models

DRAWINGS



Sketches
Plans
Sections
Elevations
Isometrics
Perspectives

DRAWINGS



Sketches

{ **Plans**
Sections
Elevations

Isometrics

Perspectives

PLANS



PLANS



**Pretend you are a
bird flying over the
room, or you are in
an airplane**

Pretend you are
stuck to the ceiling
looking down

A Map is a plan view

It is a horizontal cut
through a building

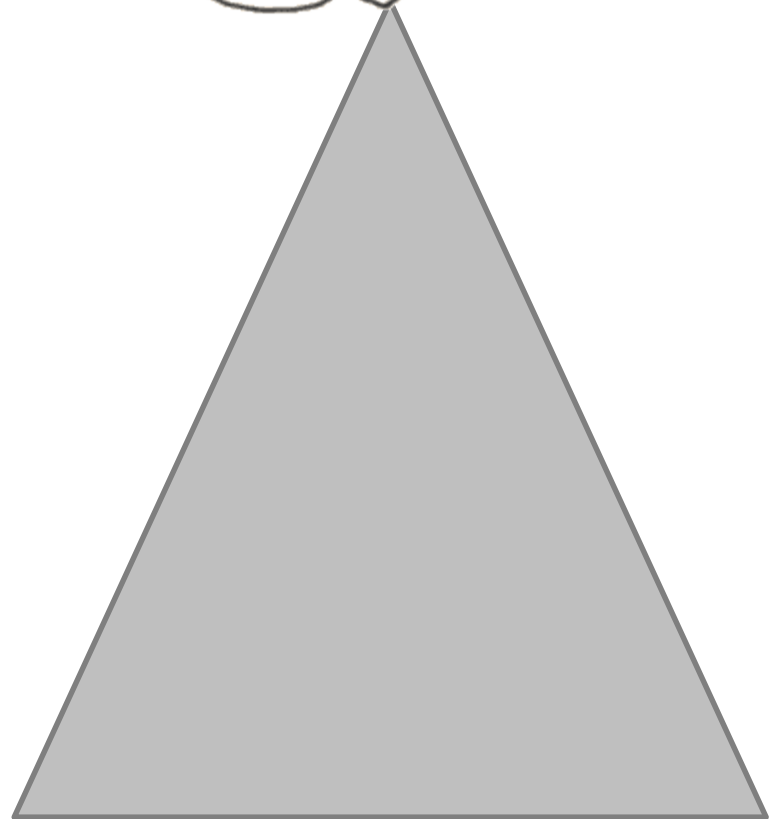
PLANS

Pretend you are a bird flying over the room, or you are in an airplane

Pretend you are stuck to the ceiling looking down

A Map is a plan view

It is a horizontal cut through a building



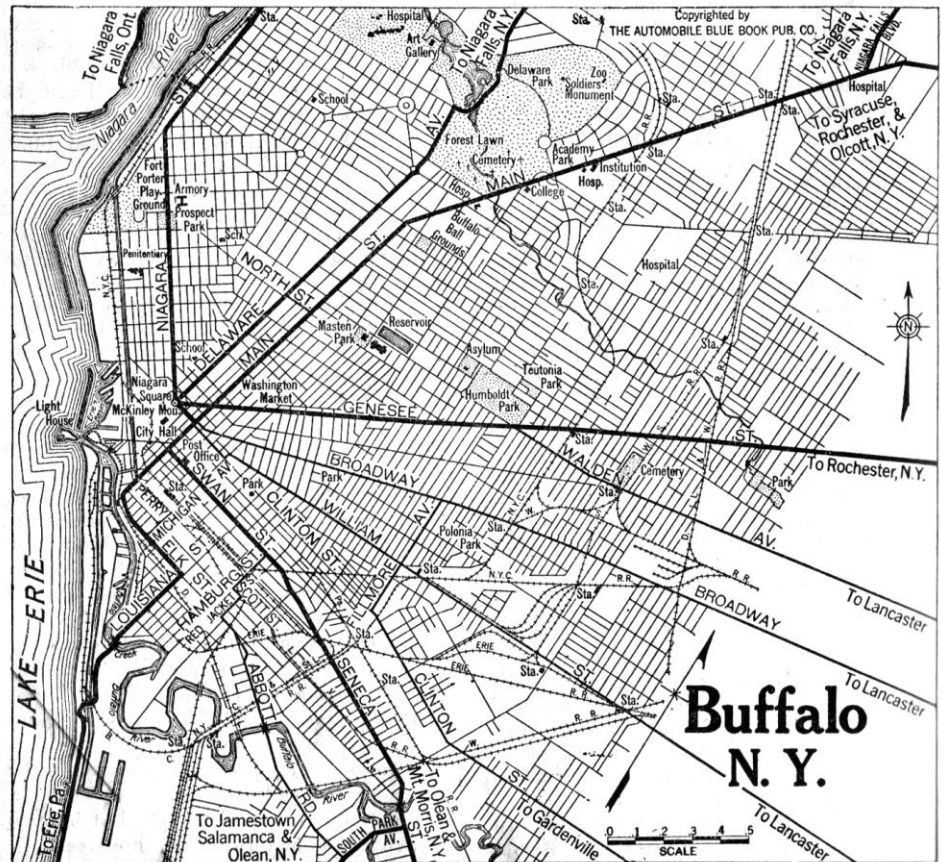
PLANS

Pretend you are a bird flying over the room, or you are in an airplane

Pretend you are stuck to the ceiling looking down

A Map is a plan view

It is a horizontal cut through a building



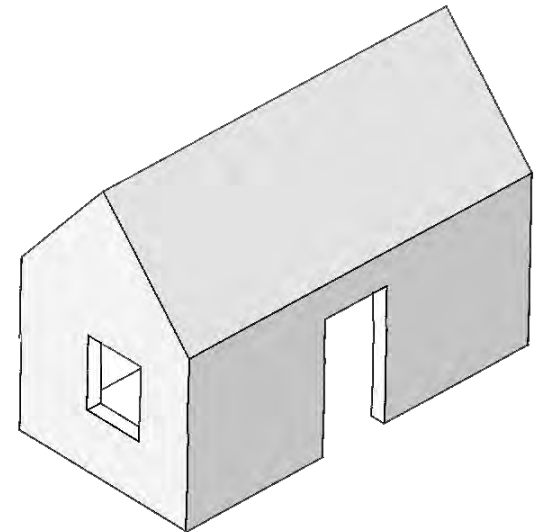
PLANS

Pretend you are a bird flying over the room, or you are in an airplane

Pretend you are stuck to the ceiling looking down

A Map is a plan view

It is a horizontal cut through a building



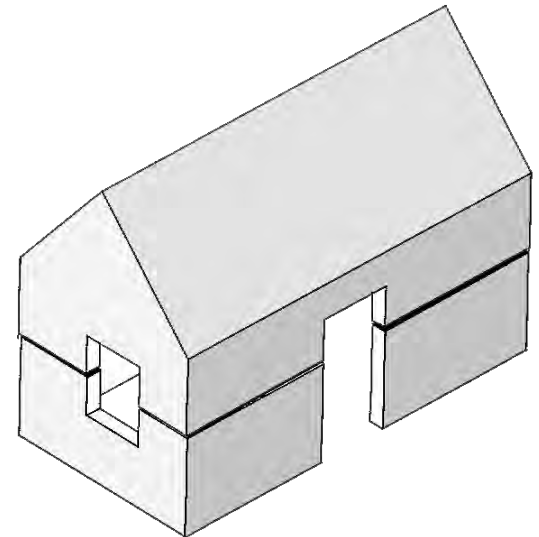
PLANS

Pretend you are a bird flying over the room, or you are in an airplane

Pretend you are stuck to the ceiling looking down

A Map is a plan view

It is a horizontal cut through a building



SECTIONS



SECTIONS

Similar to slicing a loaf of bread

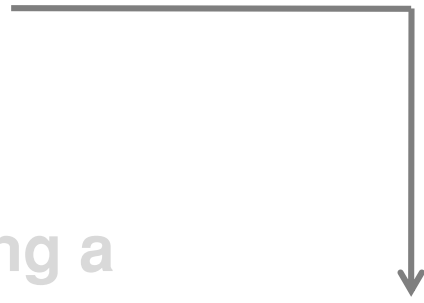
As is the façade is ripped off of a building

A way to show the structure of a building

A vertical cut through a building



SECTIONS



Similar to slicing a loaf of bread

As is the façade is ripped off of a building

A way to show the structure of a building

A vertical cut through a building



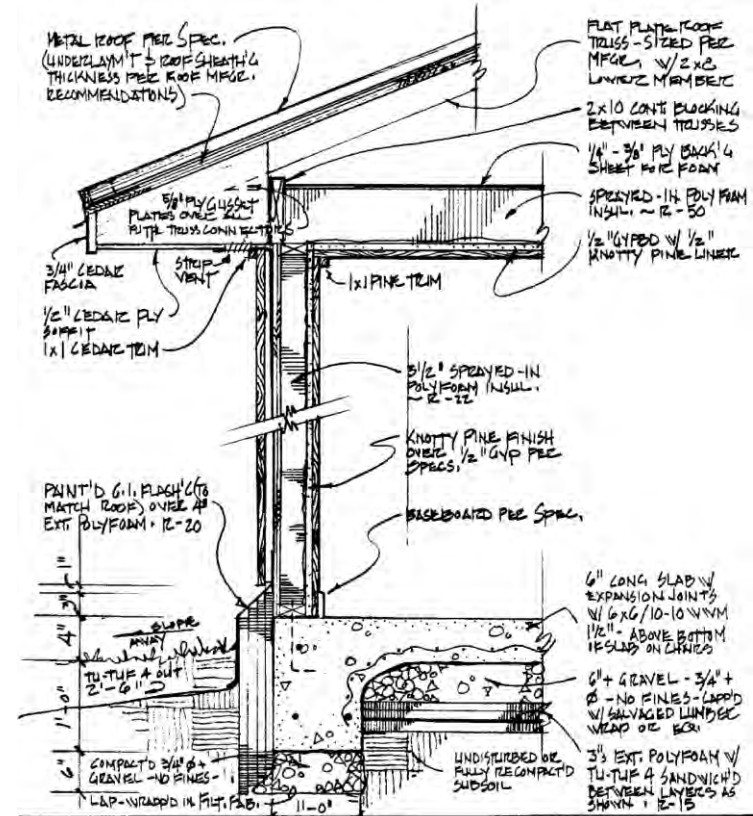
SECTIONS

Similar to slicing a loaf of bread

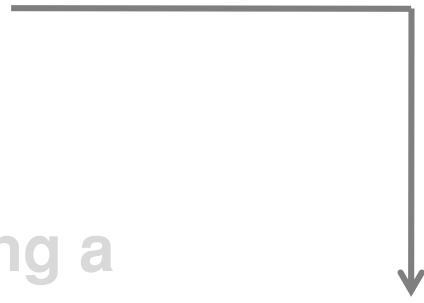
As is the façade is ripped off of a building

A way to show the structure of a building

A vertical cut through a building



SECTIONS

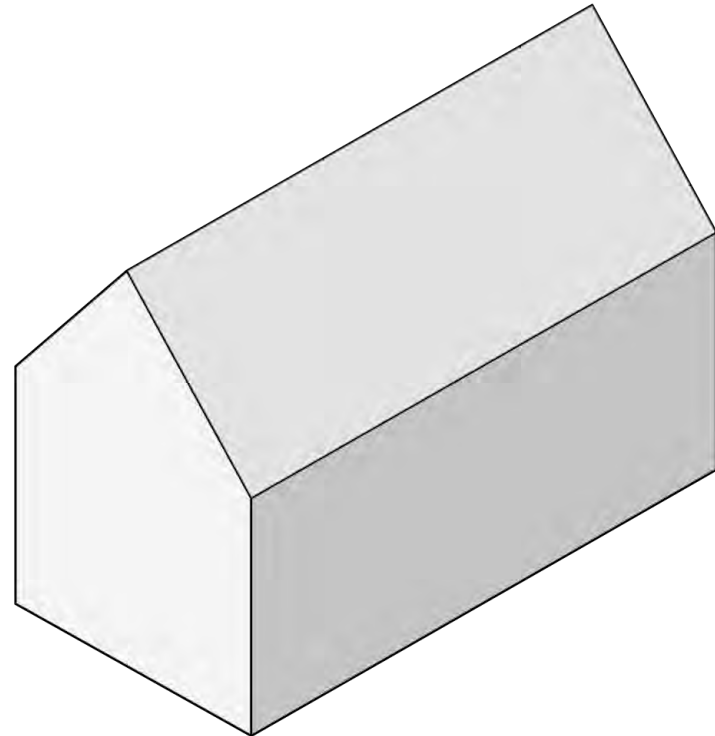


Similar to slicing a loaf of bread

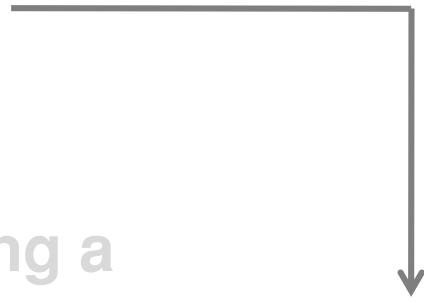
As is the façade is ripped off of a building

A way to show the structure of a building

A vertical cut through a building



SECTIONS

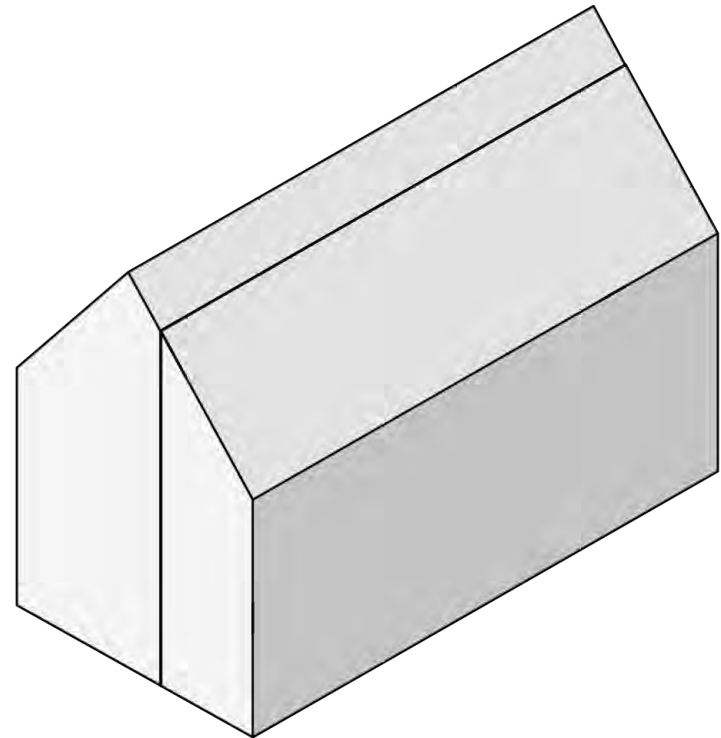


Similar to slicing a loaf of bread

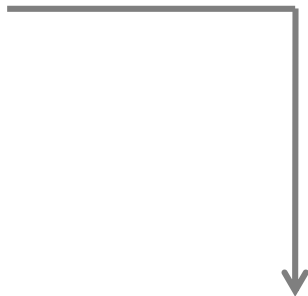
As is the façade is ripped off of a building

A way to show the structure of a building

A vertical cut through a building



ELEVATIONS



ELEVATIONS

**The wrapping paper
on a present**

Presents materials of
a building

Reveals the heights
of the building

The façade of a
building



ELEVATIONS

The wrapping paper
on a present

**Presents materials of
a building**

Reveals the heights
of the building

The façade of a
building



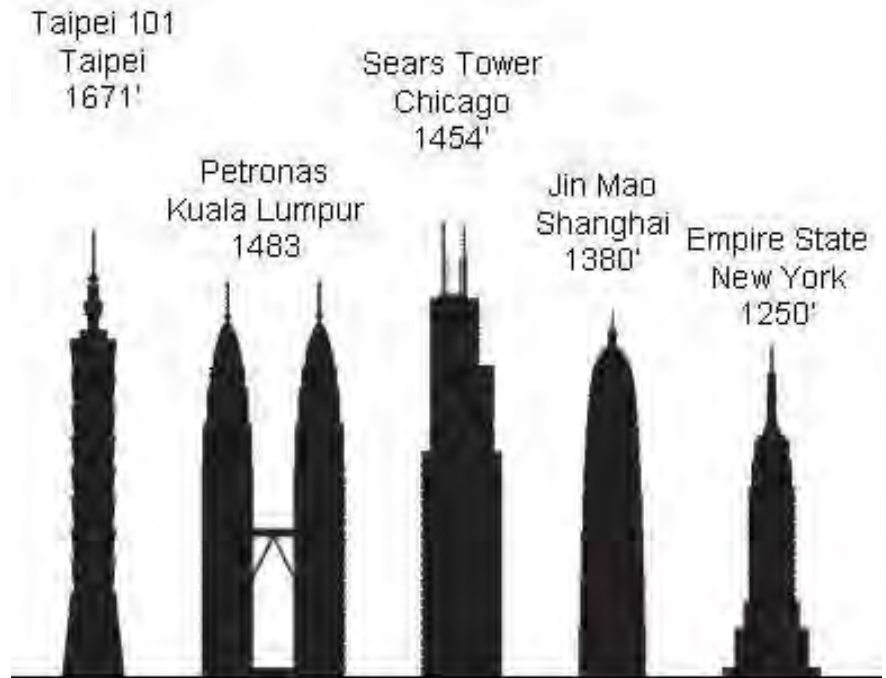
ELEVATIONS

The wrapping paper
on a present

Presents materials of
a building

**Reveals the heights
of the building**

The façade of a
building



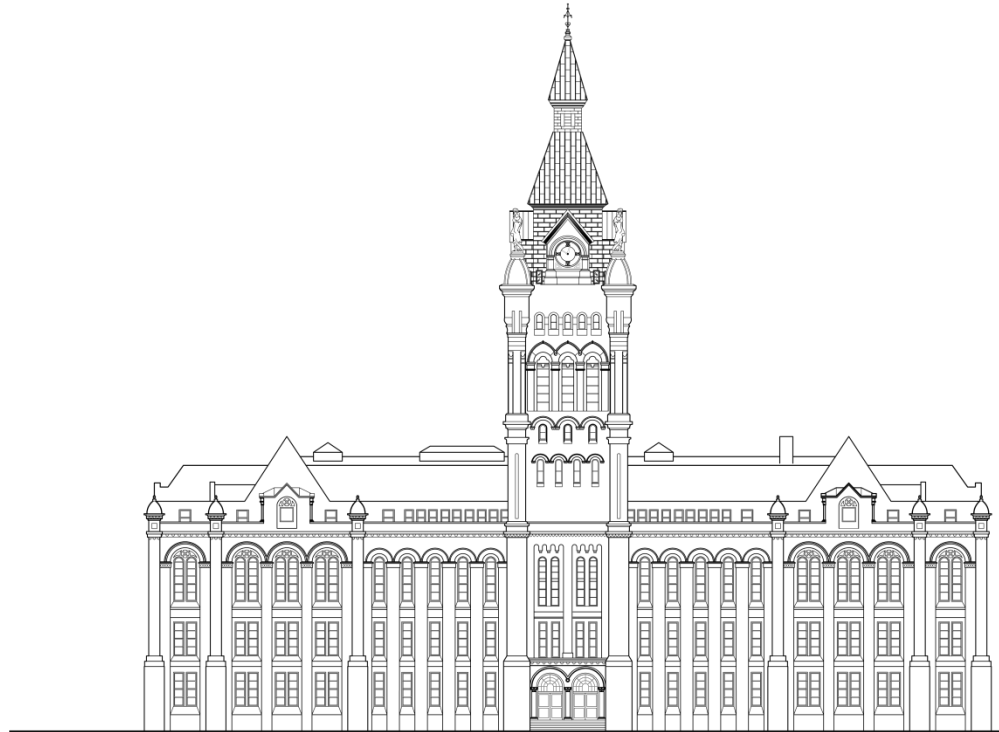
ELEVATIONS

The wrapping paper
on a present

Presents materials of
a building

Reveals the heights
of the building

**The façade of a
building**



EXERCISE

Choose a fruit or vegetable.

Draw a plan, section and elevation of your fruit.

These should be orthogonal, or 2-dimensional, or flat drawings



Plan



Section



Elevation

EXERCISE

Choose a fruit or vegetable.

Draw a plan, section and elevation of your fruit.

These should be orthogonal, or 2-dimensional, or flat drawings



Plan



Section



Elevation

EXERCISE



Choose a fruit or vegetable.

Draw a plan, section and elevation of your fruit.

These should be orthogonal, or 2-dimensional, flat drawings



Plan



Section



Elevation

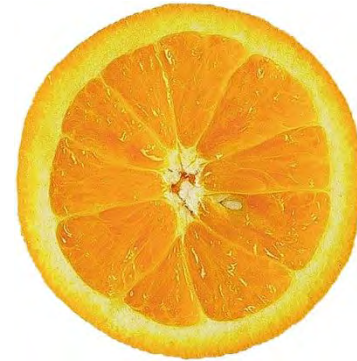
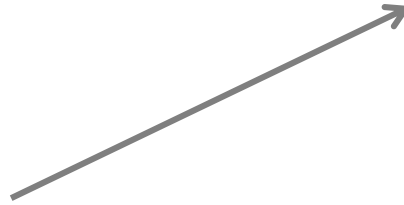
EXERCISE

Remember:

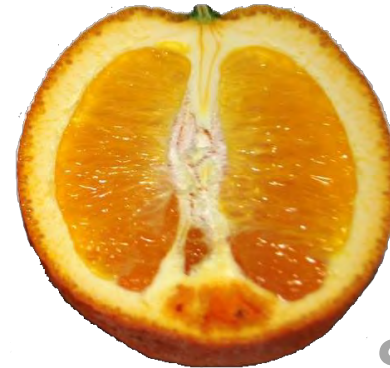
A Plan is a
HORIZONTAL CUT

A Section is a
VERTICAL CUT

An Elevation is the
OUTSIDE
APPEARANCE



Plan



Section



Elevation